

JUPITER MC

RGBW



DESCRIPTION

JUPITER MC uses quad-color LEDs for superior color mixing directly at the lens. The multichip LED configuration is an efficient combination of powerful RGB with 3000K or 4000K White multichip LEDs and unparalleled optical lenses, delivering seamless light distribution and smooth color transitioning without color separation. The luminaire is lightweight and compact with distinctive aesthetics for unobtrusive installation into a wide variety of settings. Options include a 3G mounting bracket, visors, and snoots.



IP67/ IK07 / CE / ETL / RoHS

Date: _____ Type: _____ Catalog Number: _____

Project Name: _____

ORDERING INFORMATION

LUMINAIRE							
MODEL	CCT	CONTROL †	CABLE	VOLTAGE	OPTICS *	FINISH	OPTIONS
JUPI-MC Jupiter MC	RGBW30K	DMX-RDM	S	UNV 120-277v	SP Spot 7°	AG Anthracite Grey	AST Anti-Saline Treatment
	RGBW (3000K White)	DMX-RDM	Power In, DMX In, DMX Out, no connectors (59")				
	RGBW40K	M	Monocable without connectors (19.7")				
RGBW (4000K White)	C	Monocable with connectors (19.7")					
					NB Narrow 9°	BL Black	3G 3G Mounting Yoke
					MB Medium 25°	SG Griven Silver Grey	
					WB Wide 36°	WH White	
					*Consult factory for availability of custom optical options.	CC Custom RAL Color	

LIGHT CONTROL ACCESSORIES

AL8281	Visor
AL8282	Snoot
AL1321†	Infrared Configuration Remote

† Unless an RDM compatible control is used, the AL1321 Infrared Configuration Remote must be ordered.



AL8281 Visor



AL8282 Snoot



AL1321 Configuration Remote†

		JUPITER		
PHYSICAL	HOUSING	Die-cast Aluminum Housing, Clear Tempered Glass Lens		
	HOUSING SIZE	7.3" W x 8.8" H x ø5.3"		
	WEIGHT	6.6 lbs		
	EPA	0.32 ft ²		
ELECTRICAL * See separate DMX Mode Application Sheet	POWER CONSUMPTION	43 watts max.		
	AMPERAGE	0.36A @ 120VAC 0.16A @ 277VAC		
	EFFICACY	Up to 34 lumens per watt		
	LUMEN OUTPUT	Up to 1459 lumens		
	CONTROL PROTOCOLS *	DMX/RDM Automatic Master-Satellite		
	CABLE LENGTHS	Power In: 59.06 inches / DMX in&out: 19.69 inches		
	OPERATING TEMPERATURE	-40°C to 50°C (-40°F to 122°F)		
PHOTOMETRIC	LED	RGBW (3000K or 4000K White)		
	# LEADS	16		
	L70 LUMEN MAINTENANCE	100,000 Hours @ 25°C		
	# DISTRIBUTIONS	Four		
	VERTICAL AIMING CAPABILITY	+/- 90°		
	LIGHT CONTROL ACCESSORIES	Internal Honeycomb Louver		
LIGHT DISTRIBUTIONS * * Values based on full output.	DISTRIBUTION	BEAM ANGLE	LUMENS	MAX CANDELA
	SPOT	7°	1289	49657
	NARROW	9°	1181	28089
	MEDIUM	25°	1258	6328
	WIDE	36°	1176	3112
CERTIFICATIONS	SAFETY	ETL Listed for Wet Locations		
	INGRESS PROTECTION	IP67		
	IMPACT RATING	IK07		
	EUROPEAN	CE / RoHS		
ACCESSORIES	VISOR	AL8281		
	SNOOT	AL8282		
	INFRARED CONFIGURATION REMOTE †	AL1321		

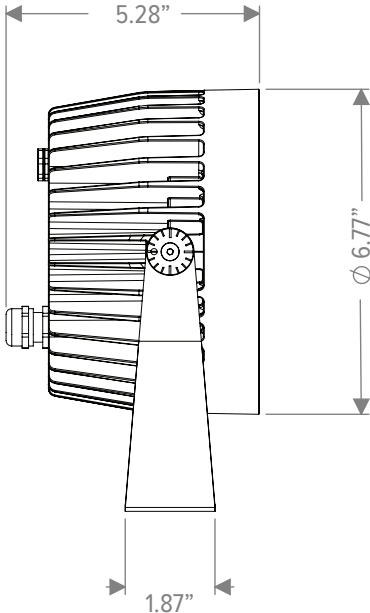
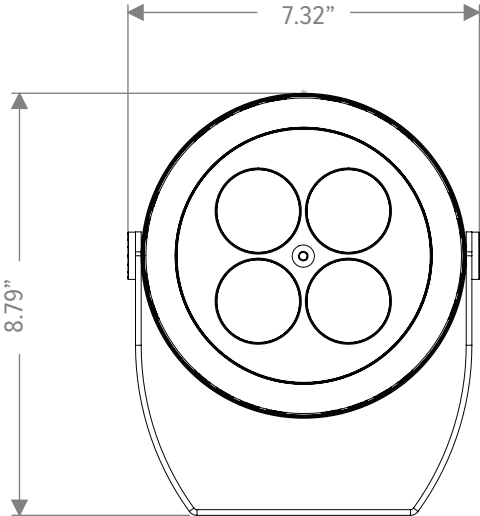
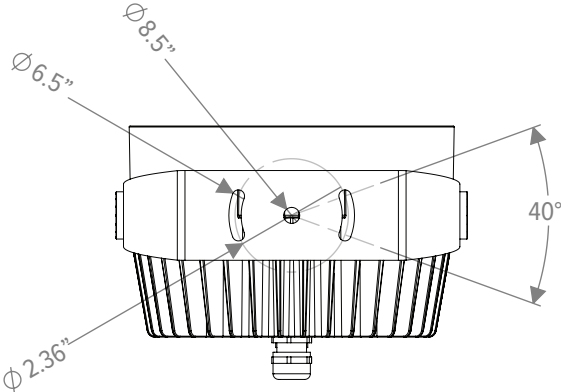
†Unless an RDM compatible control is used, the AL1321 Infrared Configuration Remote must be ordered.

JUPITER MC

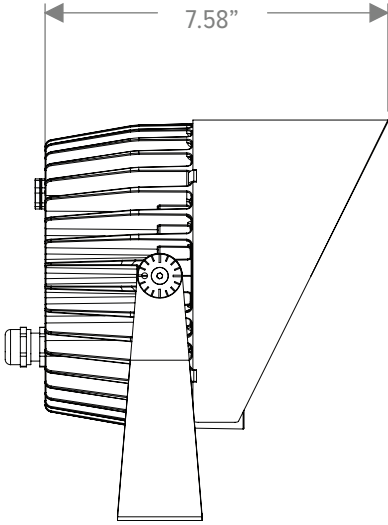
RGBW



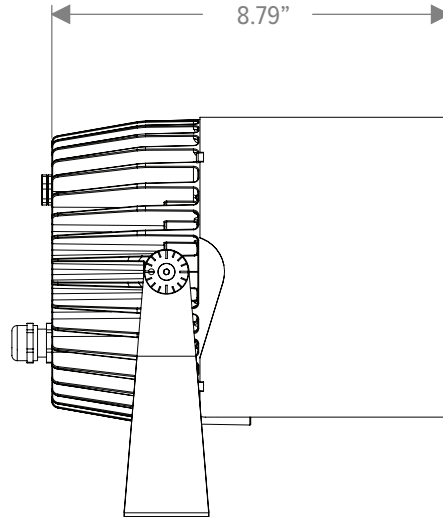
DIMENSIONS All dimensions are shown in inches unless otherwise noted.



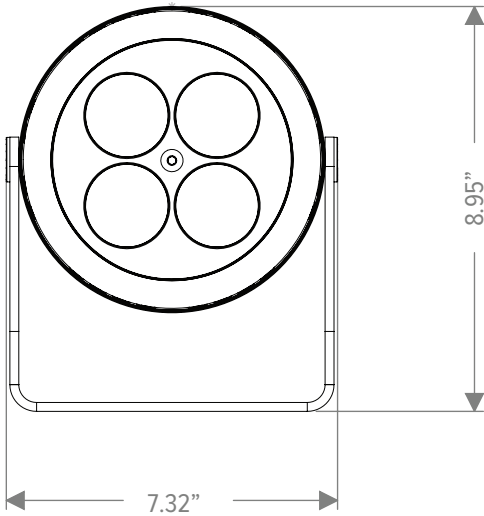
DIMENSIONS All dimensions are shown in inches unless otherwise noted.



With Visor AL8281



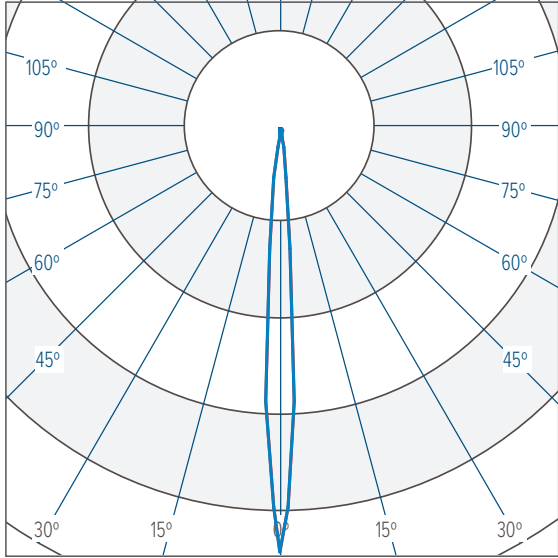
With Snoot AL8282



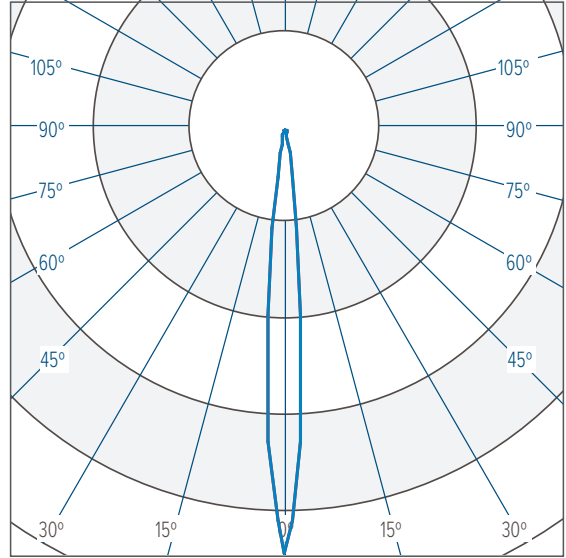
With 3G Bracket

PHOTOMETRICS

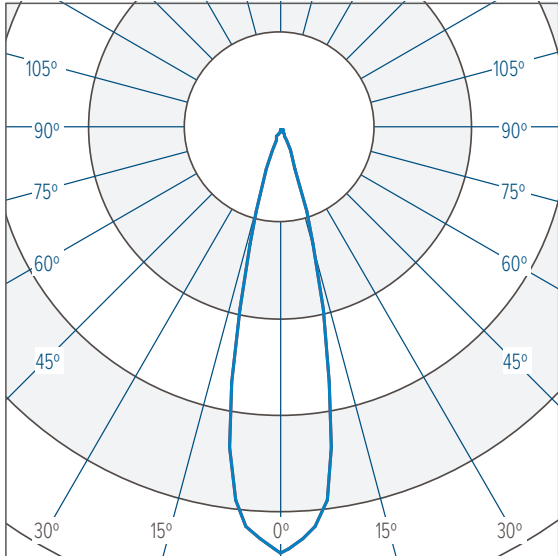
SPOT 7°
CBCP 49657 @ 1289 lumens



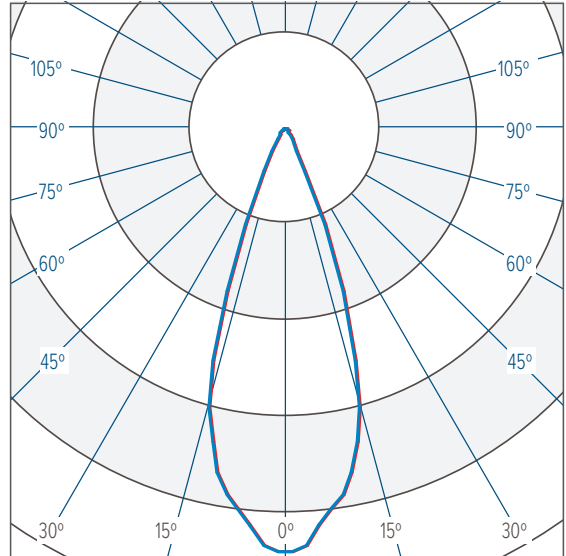
NARROW 9°
CBCP 28089 @ 1181 lumens



MEDIUM 25°
CBCP 6328 @ 1258 Lumens

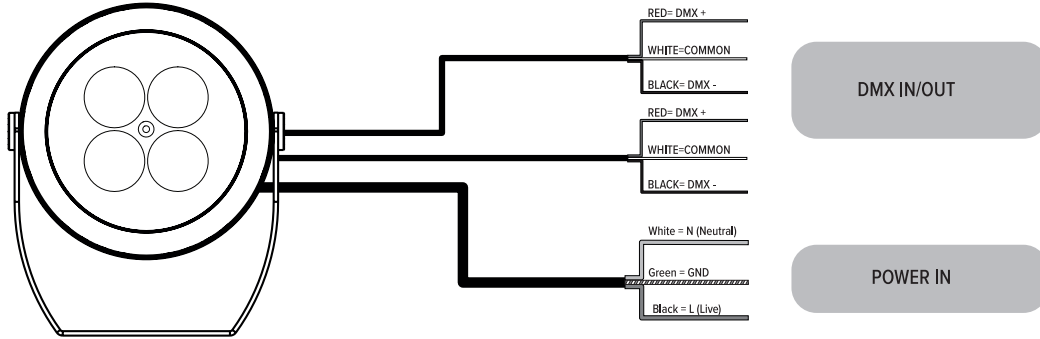


WIDE 36°
CBCP 3122 @ 1176 Lumens

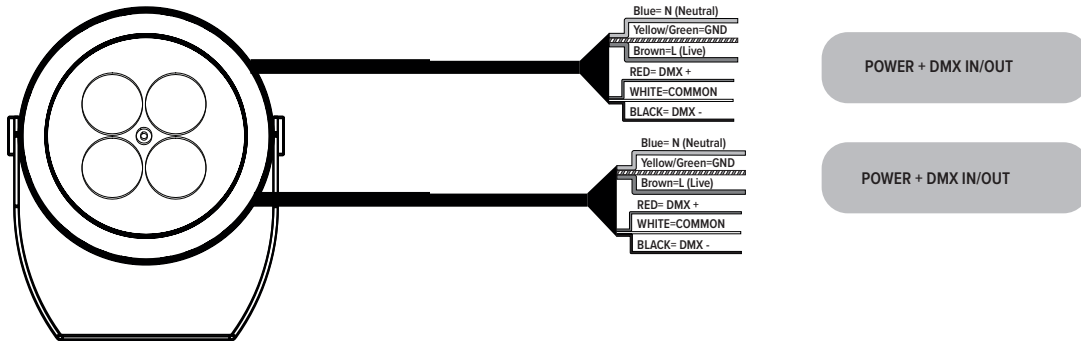


CONNECTIONS

“S” type cable (Power in, DMX In, DMX Out)



“M” type cable (Monocable without connectors)



“C” type cable (Monocable + connectors)

